

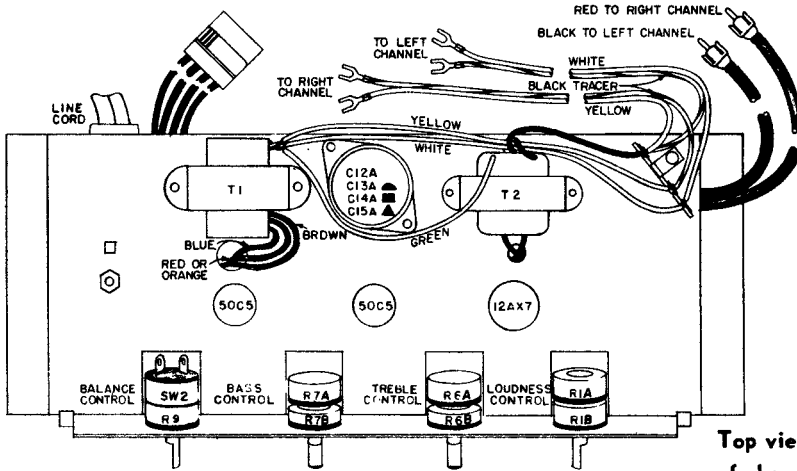
Westinghouse

MODELS

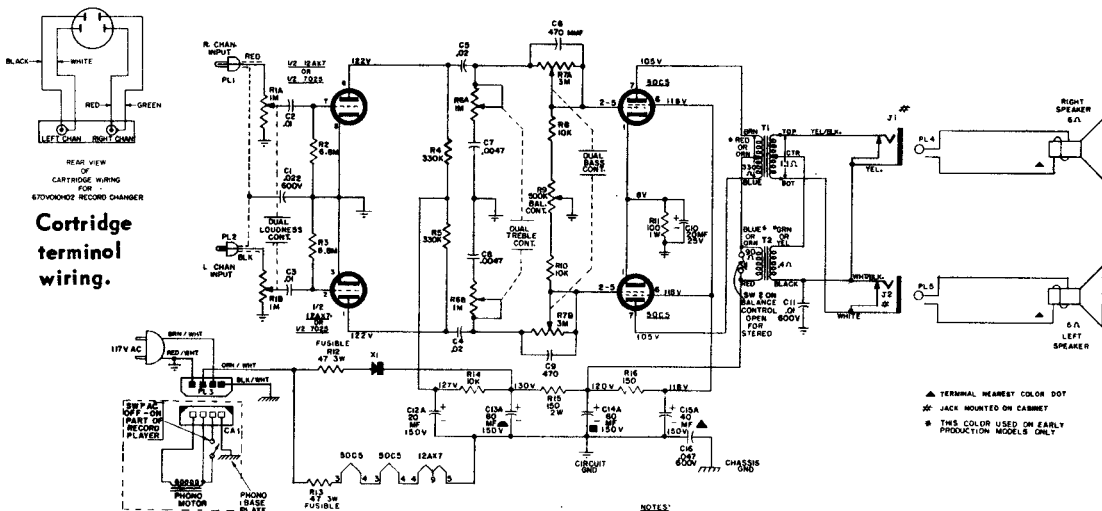
H-56ACS2 [Charcoal Gray]

H-56ACS1 [Saddle Tan]

CHASSIS V-2507-2

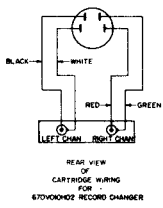


Top view of chassis,



NOTES:
 1. DC VOLTAGES MEASURED FROM CIRCUIT GROUND USING A VTVM. LOUDNESS CONTROL AT MINIMUM.
 2. ALL CAPACITANCE VALUES ARE IN MFD, AND ALL RESISTANCE VALUES IN OHM, 1/2 WATT, UNLESS OTHERWISE SPECIFIED.

Cartridge terminal wiring.



CHASSIS REMOVAL

1. Remove control knobs. Remove the perforated tube-service cover which is attached to the cabinet by 2 phillips screws.
2. Remove the 4 phillips screws holding the motorboard. Lift the motorboard.
3. Note the color and location of the two coax cables connecting to the record changer. Disconnect the amp-lok plug and the two coax cable plugs from the record changer.
4. Remove the 4 speed nuts holding the chassis to the cabinet front. Remove screws holding the two External Speaker sockets.

PHASING

Each speaker is coded with a dot on one terminal. The striped speaker leads must go to the speaker terminals marked with a color dot.

CARTRIDGE AND STYLUS REPLACEMENT

The cartridge and styli are constructed as an integrated plug-in unit. To replace cartridge, lift tone arm and grasp cartridge on notched sides. Pull cartridge out of holder and insert new cartridge. The cartridge should be oriented so that the key, in the cartridge, fits into the key-way slot in the holder.

POWER CORD POLARITY

To remove the possibility of hum due to incorrect power plug polarity, try reversing this plug while the Bass and Loudness controls are set at maximum. Leave the plug in the minimum hum position. Always check the AC power plug polarity first when servicing a hum problem.

